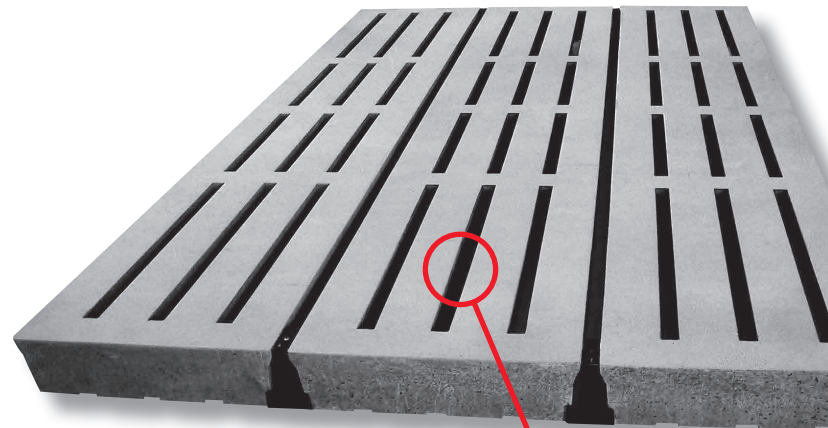


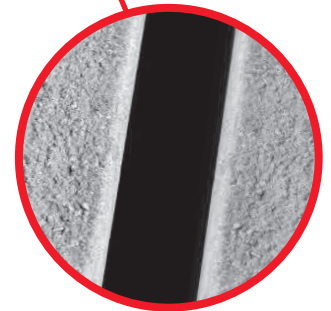
## OTTE 4-rib-slats for young- and heavy livestock

- **manufactured according to DIN EN 12737**
- **concrete strength class C 40/50**
- **suitable for rubber pad**
- **different load bearing capacity:**

- ➔ **825 kg animal weight (Height: 16 cm or 18 cm)**
- ➔ **on order (reinforced floors):**
  - **traffic ability up to 6 tons total weight accordingly 3 tons axle load (Height: 16 cm or 18 cm)**
  - **traffic ability up to 8 tons total weight accordingly 4 tons axle load (Height: 18 cm)**
  - **traffic ability up to 10 tons total weight accordingly 5 tons axle load (Height: 18 cm)**



plastic spacer between the elements

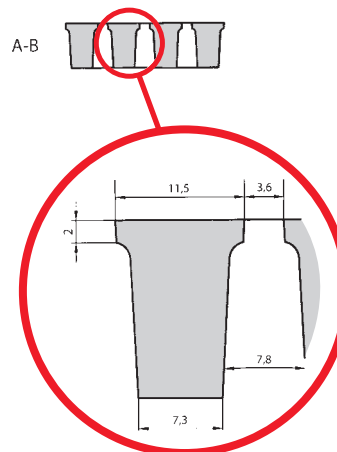


ground edges

(Please note for slats with 3 / 4 or 5 tons axle load: Gauge: 2,0 m / wheel contact area 0,30 m x 0,20 m)

### Measurements 16 cm height

Length:	150 - 370 cm (all 10 cm)
Floor width:	60,0 cm
Gap width:	2,5 / 3,0 and 3,5 cm
Tread width:	11,5 cm
Floor weight:	235 kg/m <sup>2</sup>
Bearing:	12 cm



### Measurements 18 cm height

Length:	150 - 400 cm (all 10 cm)
Floor width:	60,0 cm
Gap width:	3,5 cm / 4,0 cm
Tread width:	11,5 cm
Floor weight:	281 kg/m <sup>2</sup>
Bearing:	12 cm